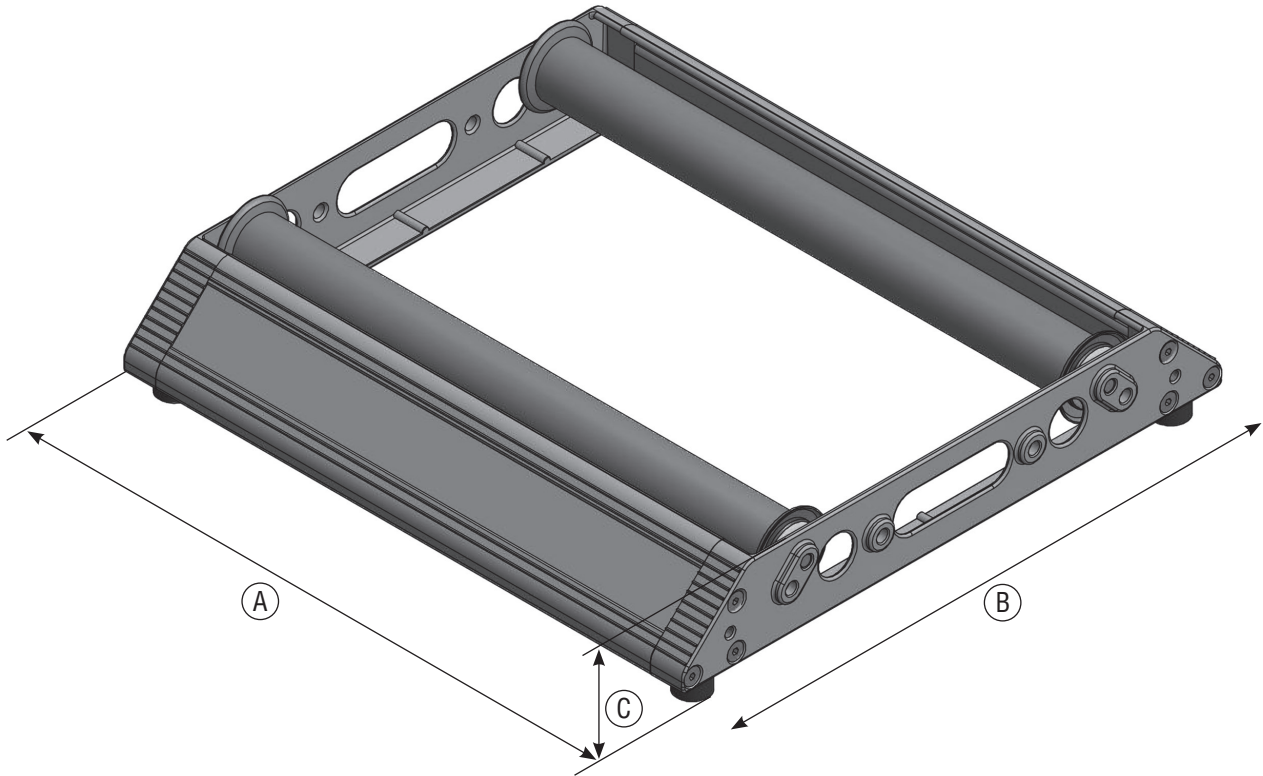


PRODUCT DATA

ORDER NO.: A90101



TECHNICAL DATA

Load-bearing capacity	200 kg
Roller gap	90, 150, 240, 300, 330 mm
Weight without castors	7.5 kg
Max. drum width	520 mm
Max. drum \varnothing	1.200 mm
A) Width	550 mm
B) Length	530 mm
C) Height	100 mm

ORDER NO.

ORIGINAL	A90101
----------	--------

ACCESSORIES

CASTORS (set = 4 pcs.)	A90301
------------------------	--------